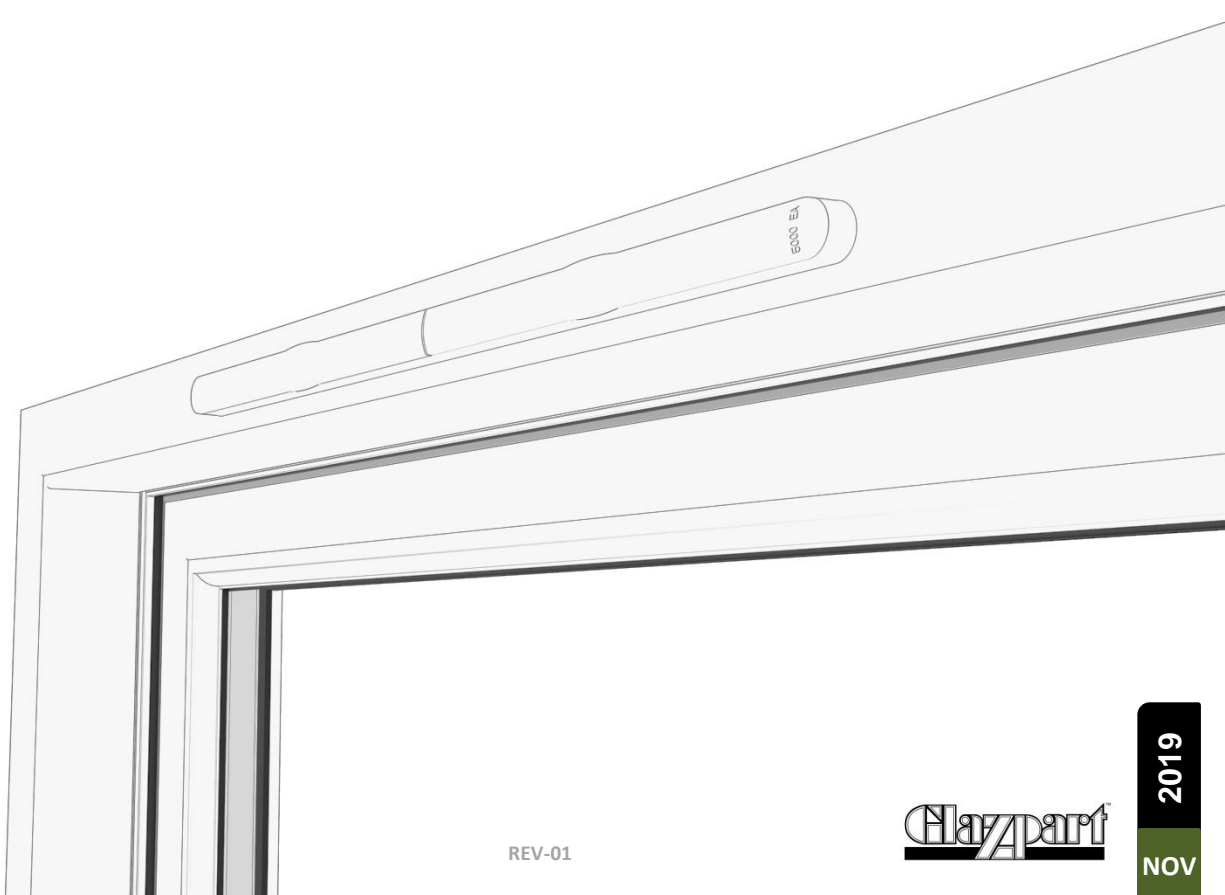
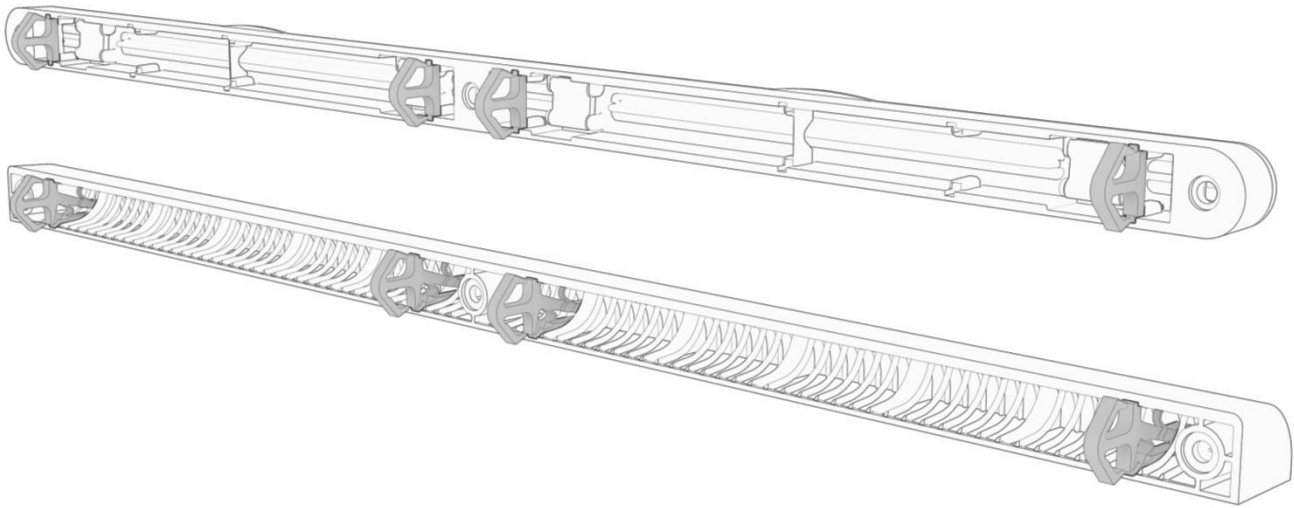


FITTING INSTRUCTIONS

LINK VENT – 5000 EA

For Repair, Replacement, Maintenance Of Damaged Trickle Vents



The Link vent 5000 for repair, replacement, maintenance and improvement of trickle vents.

The Link vent 5000 from Glazpart is designed to offer a replacement trickle vent that can be used in most applications where the rout height is between 10 mm and 13 mm and under 430mm long.

FITTING INSTRUCTIONS

DO NOT FIT THE CLIPS INTO YOUR NEW VENT AND ROUTS YET!

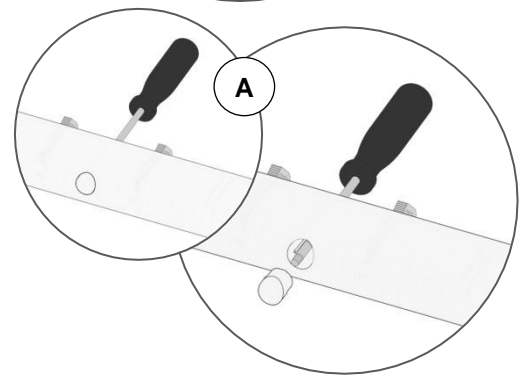
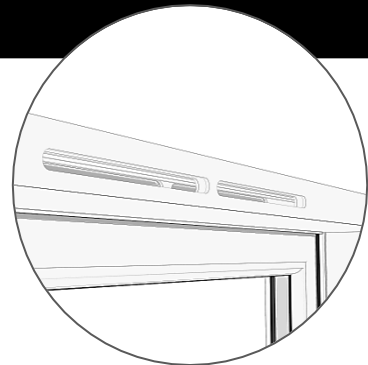
Safely remove your existing trickle vents, taking care not to damage the window. Centre the new vent to the window frame below or above the rout, the vent should be orientated so you can best see the clip positions ①, in most cases the Link Vent can be fixed to the window with clips only, in some cases a combination of clips and screws are needed for the best retention, we recommend 4.5-3.9 Self-drilling screw suitable for use with PVC with a head diameter less than 7mm.

CANOPY (outside of the window) If fitted, gently take a small screwdriver and push the screw cap covers out from the back using the screw hole) (A)

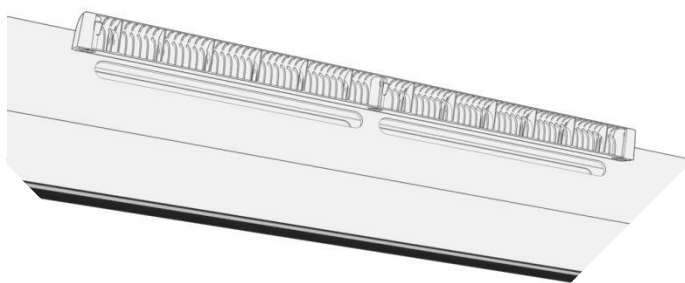
We recommend using the 4 retention clips provided, 2 at the widest positions possible and 2 as close to the centre fixing hole within the available rout.

Position the clips in the desired locations provided between the two guides, and push these into place until they click twice. ②

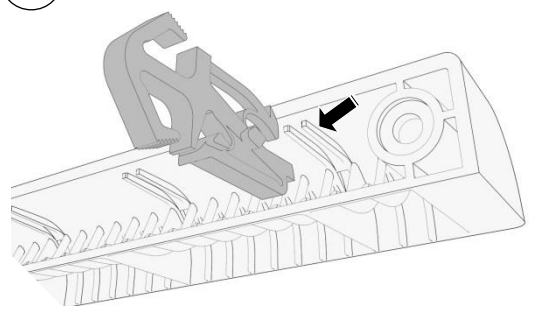
When you are sure the installation set up is correct with the canopy fly screen facing the floor, push the clips into the rout holes until they clip into place. ③



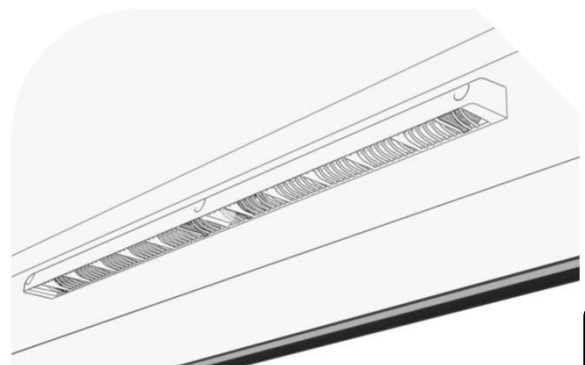
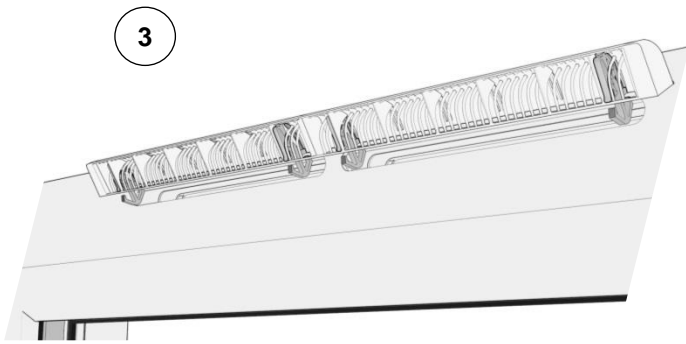
①



②



③



Continue...

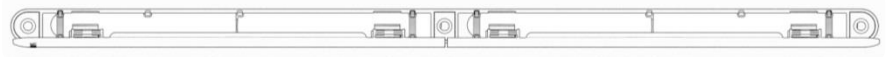
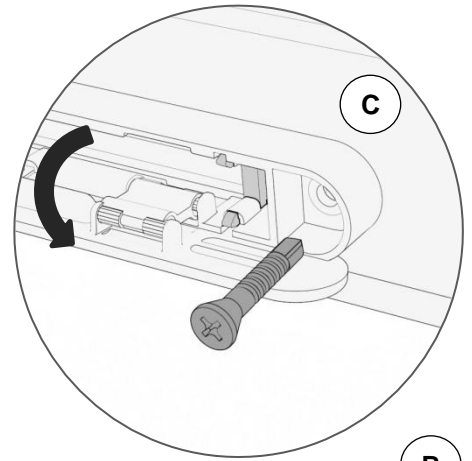
VENTILATOR (Inside the window) open the closure plates to see the screw holes at each end. **(B)**

We recommend using the 4 retention clips provided, 2 at the widest positions possible and 2 as close to the centre fixing hole within the available rout.

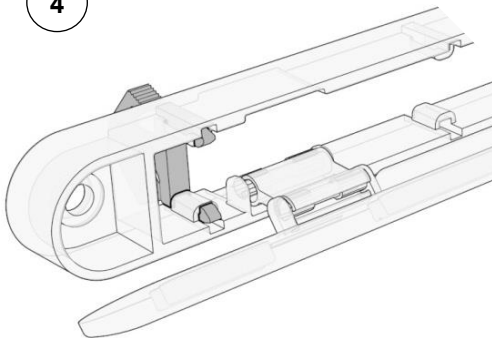
Position the clips in the desired locations provided and push these into place until they click twice. **(4)**

When you are sure the installation set up is correct (central), push the clips into the rout holes until they will clip into place **(5)**. If using the screw positions fix these in place being careful not to over tighten the screws. **(c)**

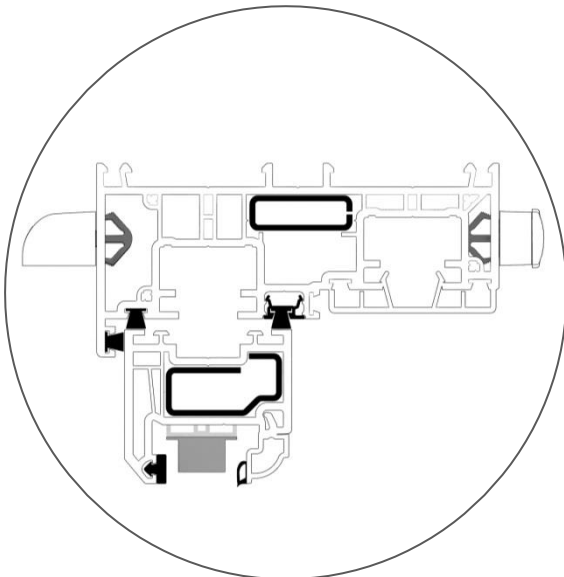
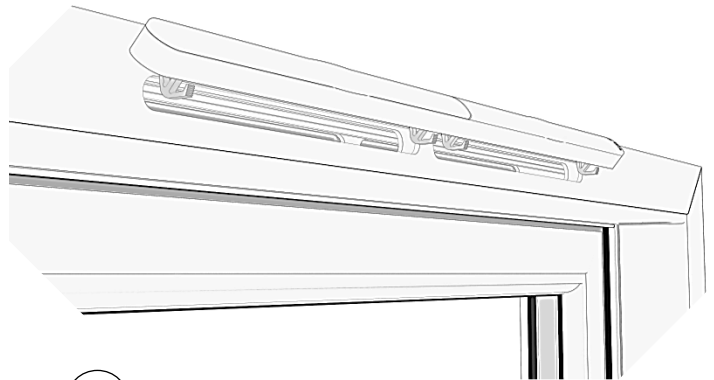
CANOPY- Replace the cap covers gently making sure they are oriented correctly with the canopy profile. **(6)**



4

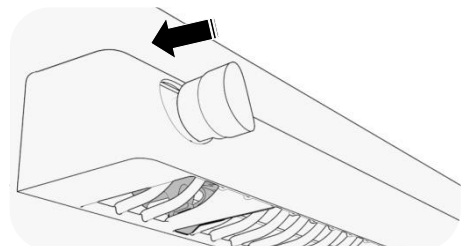
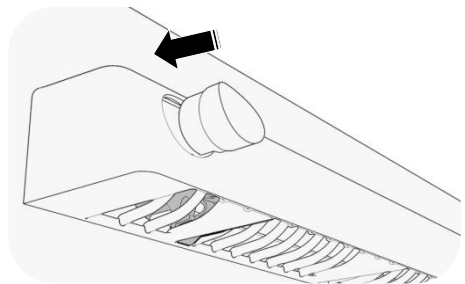


5



Link Vent Side Profile in fixed position

6



Cap must be Oriented correctly before being pushed in